

GAZELLE®

GH3070

Demolition Hammer
User Manual





Original Instructions

Before using this Gazelle demolition hammer, please carefully read though these **HANDLING INSTRUCTIONS**. Ensure that you know how the machine works, and how it should be operated. Maintain the machine in accordance with the instructions, and make certain that the machine work correctly, please store this instriation and other enclosed documents with the machine together.



Application

This Electric Chisel should be applied to breaking concrete, chipping off concrete, grooving, bar cutting, and driving piles in installation of piping and wiring, unitary facility installation, machinery installation water

supply, and drainage work, interior jobs, harbor facilities and other civil engineering work etc..

The tool is to be used only for its prescribed purpose. Any other use is deemed to be a case of misuse.

Contents

Machine information

Assembly

Safety instruction

Operation

Maintenance

Warranty

Environment

Machine information

Technical specifications

Machine Type	GH3070
Voltage	AC 220-240V 110-120 V
Frequency	50/60Hz 15A
Input power	2000W
Impact rate	1000/min
Weight	29.36kg
Impact energy	62J



Wear hearing protection while operating the power tool.

The declared vibration total value(s) and the declared noise emission value(s) have been measured in accordance with a standard test method and may be used for comparing one tool with another; The declared vibration total value(s) and the declared noise emission value(s) may also be used in a preliminary assessment of exposure.

Warning

The vibration and noise emissions during actual use of the power tool can differ from the declared values depending on the ways in which the tool is used especially what kind of workpiece is processed; and The need to identify safety measures to protect the operator that are based on an estimation of exposure in the actual conditions of use (taking account of all parts of the operating cycle such as the times when the tool is switched off and when it is running idle in addition to the trigger time).



Residual risks

Even when the power tool is used as prescribed it is not possible to eliminate all residual risk factors. The following hazards may arise in connection with the power tool's construction and design:

1. Damage to lungs if an effective dust mask is not worn.
2. Damage to hearing if effective hearing protection is not worn.
3. Damages to health resulting from vibration emission if the power tool is being used over longer period of time or not adequately managed and properly maintained.









WARNING! This power tool produces an electromagnetic field during operation. This field may under some circumstances interfere with active or passive medical implants. To reduce the risk of serious or fatal injury, we recommend persons with medical implants to consult their physician and the medical implant manufacturer before operating this machine.

Standard accessories

Point Chisel	1 piece
Flat Chisel	1 piece
One bottle of grease	60g
Carbon brush	1 couple

Safety instructions

In this operator's manual/or machine's labels following symbols are used:

	Read the operating instructions before use.		Denote risk of personal injury, loss of life or damage to the tool in case of nonobservance of the instruction in this manual.
	Accordance with essential applicable safety of European directives		Indicate electrical shock hazard.
	Double insulation		Immediately unplug the plug from the main electricity in the case that the cord gets damaged and during maintenance.
	Wear ear and eye protection.		Faulty and /or discarded electrical or electronic apparatus have to be collected at the appropriate recycling location.

General Power Tool Safety Warnings

⚠ WARNING Read all safety warnings and all instructions. Failure to follow the warnings and instructions may result in electric shock, fire and/or serious injury.

Save all warnings and instructions for future reference.

The term "power tool" in the warnings refers to your mains-operated (cordless) power tool.

1. Work area safety

- Keep work area clean and well lit.** Cluttered or dark areas invite accidents.
- Do not operate power tools in explosive atmospheres, such as in the presence of flammable liquids, gases or dust.** Power tools create sparks which may ignite the dust or fumes.
- Keep children and bystanders away while operating a power tool.** Distractions can cause you to lose control.

2. Electrical safety

- Power tool plugs must match the outlet. Never modify the plug in any way. Do not use any adapter plugs with earthed (grounded) power tools.** Unmodified plugs and matching outlets will reduce risk of electric shock.
- Avoid body contact with earthed or grounded surfaces, such as pipes, radiators, ranges and refrigerators.** There is an increased risk of electric shock if your body is earthed or grounded.
- Do not expose power tools to rain or wet conditions.** Water entering a power tool will increase the risk of electric shock.

- d. **Do not abuse the cord. Never use the cord for carrying, pulling or unplugging the power tool. Keep cord away from heat, oil, sharp edges or moving parts. *Damaged or entangled cords increase the risk of electric shock.***
- e. **When operating a power tool outdoors, use an extension cord suitable for outdoor use. *Use of a cord suitable for outdoor use reduces the risk of electric shock.***
- f. **If operating a power tool in a damp location is unavoidable, use a residual current device (RCD) protected supply. *Use of an RCD reduces the risk of electric shock.***

3. Personal safety

- a. **Stay alert, watch what you are doing and use common sense when operating a power tool. Do not use a power tool while you are tired or under the influence of drugs, alcohol or medication. *A moment of inattention while operating power tools may result in serious personal injury.***
- b. **Use personal protective equipment. Always wear eye protection. *Protective equipment such as a dust mask, non-skid safety shoes, hard hat or hearing protection used for appropriate conditions will reduce personal injuries.***
- c. **Prevent unintentional starting. Ensure the switch is in the off-position before connecting to power source and/or battery pack, picking up or carrying the tool. *Carrying power tools with your finger on the switch or energising power tools that have the switch on invites accidents.***
- d. **Remove any adjusting key or wrench before turning the power tool on. *A wrench or a key left attached to a rotating part of the power tool may result in personal injury.***
- e. **Do not overreach. Keep proper footing and balance at all times. *This enables better control of the power tool in unexpected situations.***
- f. **Dress properly. Do not wear loose clothing or jewellery. Keep your hair and clothing away from moving parts. *Loose clothes, jewellery or long hair can be caught in moving parts.***
- g. **If devices are provided for the connection of dust extraction and collection facilities, ensure these are connected and properly used. *Use of dust collection can reduce dust related hazards.***
- h. **Do not let familiarity gained from frequent use of tools allow you to become complacent and ignore tool safety principles. *A careless action can cause severe injury***
- i. *within a fraction of a second.*

4. Power tool use and care

- a. **Do not force the power tool. Use the correct power tool for your application. *The correct power tool will do the job better and safer at the rate for which it was designed.***
- b. **Do not use the power tool if the switch does not turn it on and off. *Any power tool that cannot be controlled with the switch is dangerous and must be repaired.***
- c. **Disconnect the plug from the power source and/or remove the battery pack, if detachable, from the power tool before making any adjustments, changing accessories, or storing power tools. *Such preventive safety measures reduce the risk of starting the power tool accidentally.***
- d. **Store idle power tools out of the reach of children and do not allow persons unfamiliar with the power tool or these instructions to operate the power tool. *Power tools are dangerous in the hands of untrained users.***

- e. **Maintain power tools and accessories. Check for misalignment or binding of moving parts, breakage of parts and any other condition that may affect the power tool's operation. If damaged, have the power tool repaired before use. Many accidents are caused by poorly maintained power tools.**
- f. **Keep cutting tools sharp and clean. Properly maintained cutting tools with sharp cutting edges are less likely to bind and are easier to control.**
- g. **Use the power tool, accessories and tool bits etc. in accordance with these instructions, taking into account the working conditions and the work to be performed. Use of the power tool for operations different from those intended could result in a hazardous situation.**
- h. **Keep handles and grasping surfaces dry, clean and free from oil and grease. Slippery handles and grasping surfaces do not allow for safe handling and control of the tool in unexpected situations.**

5. Service

- a. **Have your power tool serviced by a qualified repair person using only identical replacement parts. This will ensure that the safety of the power tool is maintained.**

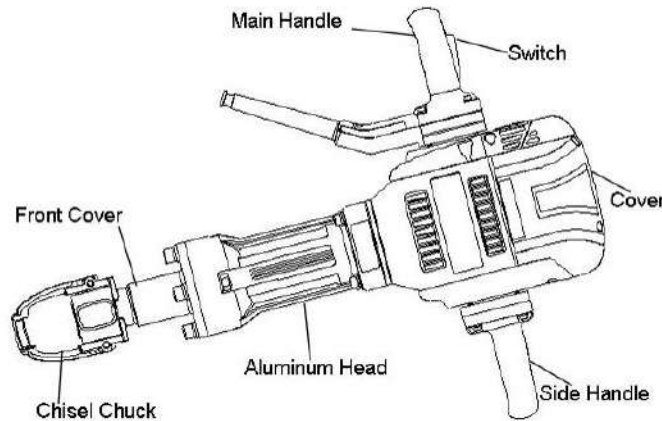
Additional Safety Rules for Electric Chisel

1. **Wear ear protectors.** *Exposure to noise can cause hearing loss.*
2. **Use auxiliary handle(s), if supplied with the tool.** *Loss of control can cause personal injury.*
3. **Hold power tools by insulated gripping surfaces, when performing an operation where the cutting tool may contact hidden wiring or its own cord.** *Cutting accessory contacting a "live" wire may make exposed metal parts of the power tool "live" and could give the operator an electric shock.*
4. **Wear a dust mask.** *Do not inhale the harmful dusts generated in drilling or chiseling operation. The dust can endanger the health of yourself and bystanders.*
5. Be sure the bit is secured in place before operation.
6. Under normal operation, the machine is designed to produce vibration, the screws and bolts can come loose, causing a breakdown and accidents. Check tightness of them carefully before running.
7. In cold weather or a long time tool not be used, please keep the tool running without load a few minutes to warm up the grease inside, otherwise hammering function is difficult to get.
8. Be sure you stand stably and no one is below when you using tool is in high location.
9. Hold the tool firmly with two hands.
10. Don't touch any moving parts.
11. Don't leave the tool running itself, operate tool only when hand-held.
12. Don't point the tool to anybody for the bit could fly out in case.
13. Don't touch the BIT OR PARTS CLOSE TO THE BIT immediately after operation, they may extremely hot and could burn your skin.
14. Any damage and abnormal happen, please stop to use immediately and disconnect it, ask authorized serve center to check and repair.
15. **Parts replace:** Only original parts can be used to replace by authorized service center.
16. **Right use accessories and parts:** Don't use other parts and accessories which not mentioned in the manual otherwise may cause injuries!

17. **Special attention to voltage:** Before connect the power tool, please make sure the rated voltage on the tool can match the power supply, otherwise the power tool may be damaged and cause injuries.
18. **Don't wipe plastic part with solvent:** Solvent such as gasoline, thinner, alcohol etc. these kind of chemical material, are not allowed to use, water or soap are recommended!
19. If the replacement of the supply cord is necessary, this has to be done by the manufacturer or his agent in order to avoid a safety hazard.

Assembly

Name of the parts



Operation instructions

Prior to operation



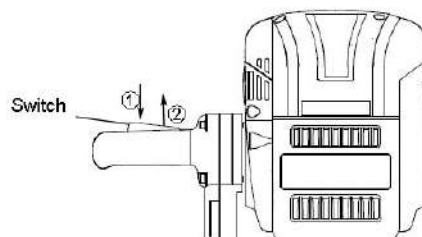
Read the ENTIRE IMPORTANT SAFETY INFORMATION section at the beginning of this manual including all text under subheadings therein before set up use of this products.

1. **Power source**
Ensure that the power source to be utilized conforms to the power requirements which specified on the name plate of the hammer.
2. **Power switch**
Ensure that the power switch is in the position of OFF. If the plug is connected to power receptacle while the power switch is in ON position, the demolition hammer will start operation immediately, which can cause serious accident!
3. **Extension cord**
When the work area is removed from the power source, use an extension cord of sufficient thickness and rated capacity. The extension cord should be kept as short as practicable.

Switch operating

Observe correct mains voltage! The voltage of the power source must agree with the voltage specified on the type plate of the power tool.

Switch on	Press the switch towards ① direction
Switch off	Release the switch towards ② direction



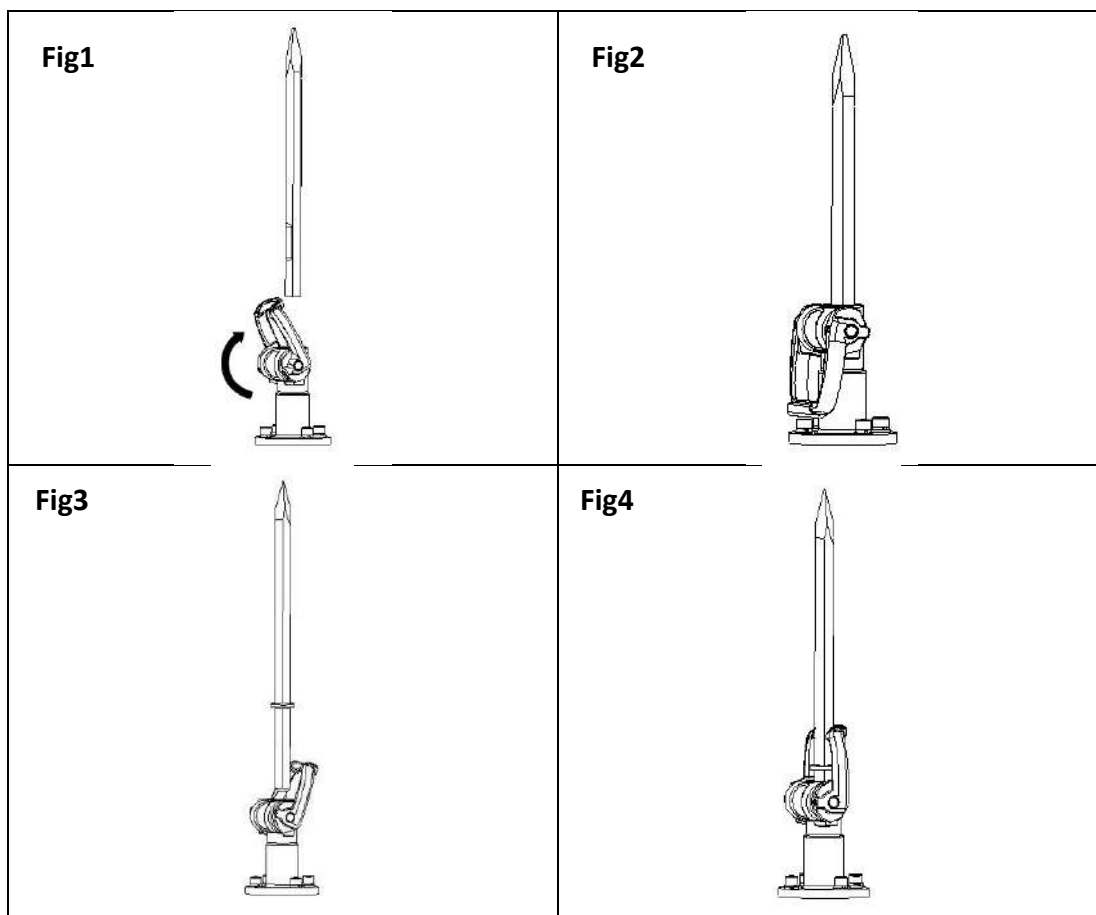
For low temperatures, the power tool reaches the full impact rate only after a certain time.

Mounting tool bits



Warning: before do it, make sure unplug the machine!

Warning: Always wear gloves when changing accessories. The exposed may become extremely hot during operation.



Clean the shank of bit and put some grease

The assembly of bit without the shoulder(with groove) (see Fig 1 & Fig 2)

Operate the lock part 2 to 150 Degree position, insert the bit 1 into the holder 3.

Operate the lock part 2 back, pull the bit 1 to check if it was locked.

When disassembling, repeat operating lock part 2 to 150 Degree as Fig 1, then pull out the bit from holder 3.

The assembly if bit with shoulder (see Fig 3 & Fig 4)

The shank length should be 160mm(6 10/33 inch) (Length from shank end to the shoulder)

Operate the lock part **2** to 210 Degree position, insert the bit **1** into the holder **3**.

Operate the lock part **2** to 180 degree position, can lock the bit. Attention: The shoulder position should be between lock part **2** and holder **3**.

Operate the lock part **2** back, pull the bit **1** to check if it was locked.

When disassembling, repeat operating lock part **2** to 210 Degree as Fig 3, then pull out the bit from holder **3**.

Maintenance and inspection



Before do any maintenance, ensure unplug the plug.

1. Inspecting the demolition hammer

Use a dull accessory, such as bull point, cutter, etc., will cause motor malfunction and efficiency degraded. Replace with a new one when your accessory is abased.

2. Inspecting the mounting screws

Regularly inspect all mounting screws and ensure that they are properly tightened. Any loose should be tighten immediately, failure to do maybe cause serious hazard.

3. Inspecting the bit retainer

The retainer may become loose due to excessive use. Make sure the bit shank position is hold securely, if any wear or damage is found, ask the authorized service people to maintenance.

4. Maintenance the motor

The motor is the heart of the machine, please avoid any damage to the winding, or any water and oil to wet it.

5. Carbon brush replacements

The motor employs carbon brushes which are consumable parts. When they become worn to or near the "wear limit", it could result in motor trouble. When an auto-stop carbon brush is equipped, the motor will atop automatically. At that time, The machine must be sent to customer service for maintenance.

Remark: after carbon brush replacement, please make sure all of the screws are tightened enough!

6. Cleaning

Clean the machine regularly with a soft cloth, preferably after each use. Solvent such as gasoline, thinner, alcohol etc.. These kind of chemical materials are not allowed to use, water or soap are recommended! always keep the power tool and the ventilation slots clean.

7. Warranty

For the condition of warranty, please refer to the separately provided warranty card.

Environment



Faulty and /or discarded electrical or electronic apparatus have to be collected at the appropriate recycling location.

INNOVATION
PERFORMANCE
SAFETY
CONFIDENCE
GAZELLE

GAZELLE

sales@gazelleindustrial.com | www.gazelleindustrial.com